

Robit 18

Foot Valved (FV) DTH Hammer with N180 fitting

- ✓ **Up to 25% greater power output**
- ✓ **Up to 25% lower air consumption**
- ✓ **Unbeatable for all conditions**



Robit
FURTHER. FASTER.

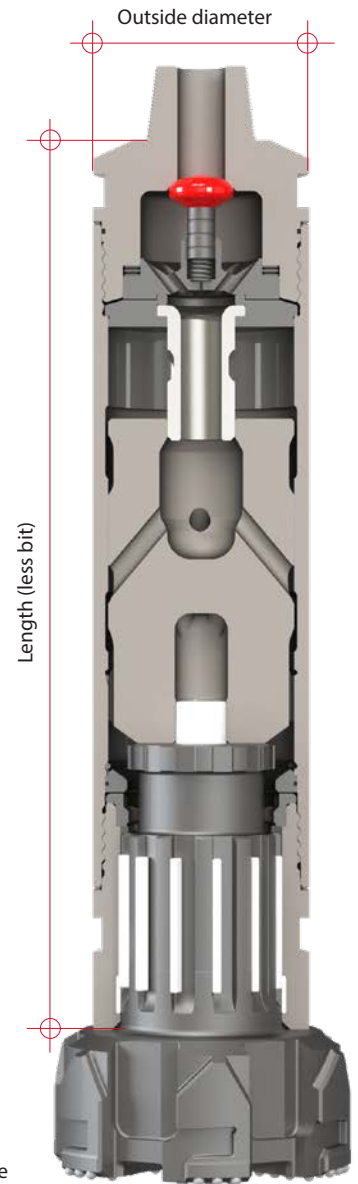
tel. +358 3 3140 3400 • sales@robitgroup.com • www.robitgroup.com

Follow Robit Plc on our social media channels:     

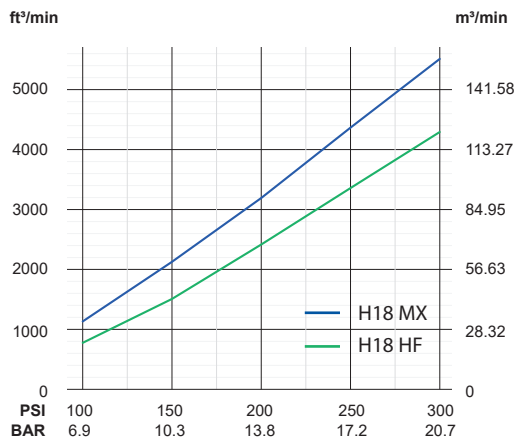
DTH hammer for 458 mm (18") - 660 mm (26") diameter holes with N180 fitting

Component parts

Ref	Description	Part number	BOM Quantity
1	DTH HAMMER H18 BACKHEAD 8 5-8IN REG PIN	4000375	1
2	DTH HAMMER H18 BREAKOUT WASHER	9004111	2
3	H18 BREAKOUTWASHER SAFETY BUFFER	4000405	2
4	HYPER 181 B/HEAD "O" RING	HSH181114	1
5	DTH HAMMER H18 CHECK VALVE	4000380	1
6	H18 CHECK VALVE SPRING (S423)	9004109	1
7	DTH HAMMER H18 COMPRESSION RING	9004110	1
8	DTH HAMMER H18 VALVE CHEST	4000378	1
9	DTH HAMMER H18 SWITCH SPACER	4000383	1
10	DTH HAMMER H18 CONTROL TUBE	4000379	1
11	DTH HAMMER H18 TUBE HOLDER	4000381	1
12	DTH HAMMER H18 WEARSLEEVE	4000377	1
13	DTH HAMMER H18 FOOTVALVED PISTON N180	4000376	1
14	H18 RETAINING SNAP RING	9004112	1
15	DTH HAMMER H18 FV VOLUME OCCUPIER	4000382	1
16	H18 VOLUME OCCUPIER O RING	9004113	1
17	H18 BIT RETAINER N180	4000404	1
18	DTH HAMMER H18 Chuck N180	4000390	1
19	HYPER181 CHUCK BEARING - N180	HSH18135180BE	1
	DTH HAMMER H18 FV MX 8 5-8 API REG PIN	4000384	
	DTH HAMMER H18 FV HF 8 5-8 API REG PIN	4000374	



Air consumption, H18 FV (Pressure at Compressor)



Hammer specification

	Imperial	Metric
Weight (less bit)	2330 lbs	1057 kg
Length (less bit)	64.8"	1646 mm
Outside dia.	15.7"	400 mm
Piston weight	765 lbs	347 kg

FV = Foot Valved
 MX = Maximum Performance
 HF = High Efficiency

Robit® H18 FV hammer offers Maximum Performance or High Efficiency version by changing parts order.

